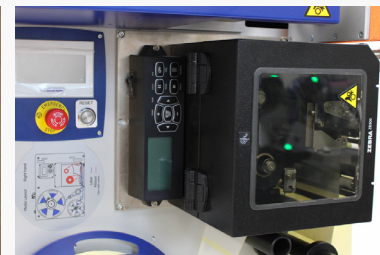




The right choice

Print & Apply Systems

- ✓ **Configurable to apply 1 or 2 labels on pallet.**
- ✓ **Fit to any end-of-line.**
- ✓ **Barcode verifier (optional).**
- ✓ **Connectivity with any ERP, MES, WMS, DBMS, etc.**
- ✓ **GS1-128, GS1-Datamatrix and GS1-QR symbology. Recommended by GS1 international for pallet identification.**
- ✓ **Speed up to 200 pallets/ hour (2 labels per pallet).**
- ✓ **Easy access for consumable changeover.**
- ✓ **Digital control pressure switch.**
- ✓ **Compact, robust, reliable y compatible with all OEM print engines on the market.**



APL 38s Print & Apply Systems have been technologically designed to meet the strictest requirements in terms of reliability, robustness and compatibility with the standard market regulation issued by GS1 International for pallet labelling.

APL 38s allows label rolls of up to 300mm diameter (optional 350mm), with a simple label reel removal and replacement system.

It has a rewinding axis of the backing paper with a clip system. Rigid, ergonomic and easy to move.

APL 38s allows 2 cylinder options: 500mm or 700mm. Compact and small, it has been developed for easy integration in end-of-line environments.

APL 38s equipments offer a wide connection capacity to any information or automation system, through the UBS

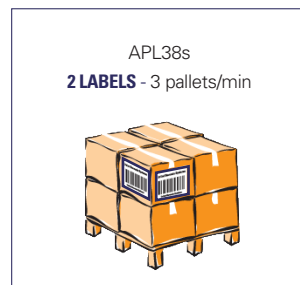
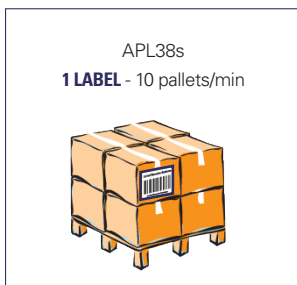
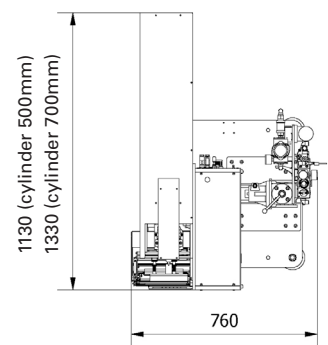
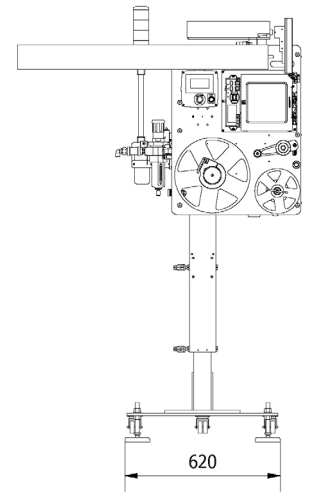
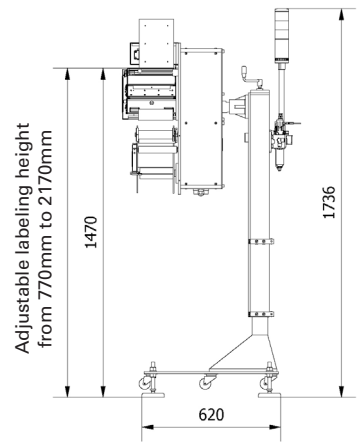
LabMan 4.0 software that allows the management and connection of data with any ERP, MES, WMS or DBMS system.

APL 38s comply with global GS1 coding and traceability standards with ANSI, A and B grade Barcode Printing on GTIN codes.

Do you need to incorporate any advanced functionality to the **APL 38s**?



FEATURES	
ELECTRIC	
PLC	STANDARD
INTERFACE	MONOCHROME TOUCH SCREEN 3,8"
DEFAULT VALUES	X
POWER SUPPLY	100 - 240 ±10 VAC, 50 / 60Hz
CE REGULATION	SECURITY LEVEL PLC (EMERGENCY STOP)
PNEUMATIC	
PRESSURE REGULATION CYLINDER APPLICATION	✓
VACUUM SWITCH	DIGITAL REGULATION
PRESSURE SWITCH	DIGITAL REGULATION
AIR FLOW REGULATOR BLOWER TUBE	STANDARD INDICATOR (ANALOGICAL)
AIR FLOW REGULATOR VACUUM	X (OPTIONAL)
ENTRY CONSIGNMENT	✓
MECHANICAL	
EXTERNAL REEL DIAMETER (MAX.)	300MM (11,8"), 350MM (13,8") OPTIONAL
MAX. LABEL WIDTH	170MM (6,69")
UNWINDER	PRINTER INPUT TENSIONES
REWINDER	MOTOR WITH CLUTCH
BACKING PAPER EXTRACTION SYSTEM	CLIP
MEDIA COVER	X (OPTIONAL)
HARSH ENVIRONMENT FULL COVER	X (OPTIONAL)
CABIN PROTECTOR FOR CONNECTION PANEL	X (OPTIONAL)
COMMUNICATIONS	
ALARM BEACON	EXTERNAL
ETHERNET	X
LOW LEVEL MEDIA	✓
PRESSURE SWITH ENTRY	X (OPTIONAL)
STANDARD OUTPUTS CONNECTOR	7 SIGNALS
INTEGRATOR CONNECTOR	X (OPTIONAL)
LABEL APPLICATORS	
1 LABEL	10 PALLETS / MIN
2 LABELS	3 PALLETS / MIN
PRINTING MODULE	
PRINT ENGINE	ZEBRA, SATO, HONEYWELL..
PRINTING RESOLUTION	203 - 300DPI
POWER SUPPLY	100 - 240 ±10 VAC, 50 / 60Hz
INTERFACE AND CONNECTIVITY	ETHERNET, USB, RS232
OPERATING TEMPERATURE	5°C TO 40°C
HUMIDITY	20% TO 85% W/O CONDENSATION



Due to our continuous improvement policy, our product specifications are subject to change without notice.

