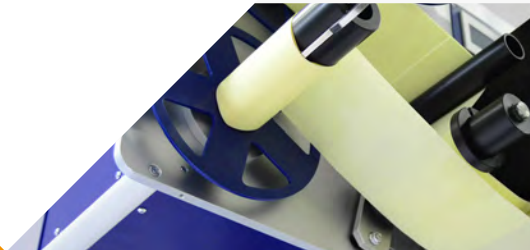




The right choice

Print & Apply Systems

- ✓ Real time automatic print and apply system for any type of secondary group packaging (cases, packs, bundles, etc.).
- ✓ Capacity up to 90 labels/min.
- ✓ Control panel with touch screen for system parameters configuration. (APL35s 3,8"; APL35si 4,3" color)
- ✓ Digital regulator of pressure switch and vacuum switch
- ✓ Integrating Multi-signal Communication (APL35si)
- ✓ Compact, robust, industrial.
- ✓ Compatible with all OEM print engines on the market. In compliance with GS1 International codification and traceability standards (grade A and B for printed barcodes).



Print & Apply Systems **APL 35s** were technologically designed to fulfill the most strict market demands on traceability and reliability; complying with GS1 international requirements for real time printing and labeling.

This Label Printer Applicator supports reel of label with external diameter of up to 300mm (11,8"). 350mm (13,8") optional.

Modular concept of **APL 35s** allows the application of label on packaging in many ways:

- Top - Side - Frontal
- Rear - Corner wrap - Double panel

Designed to meet most exigent requirements on speed and labeling capacity. Including printing and applying of label with variable information in real time. With the capacity of up to 90 cpm (cases per minute) with pneumatic application and up to 180 cpm with electric application.

Easy integration into any production line by using only one connector with all I/O integrated. Thanks to its high connectivity capacity **APL 35s** Systems can be easily integrated with any ERP, DB, MES, WMS, using UBS LabMan 4.0 middleware as a connection tool.

This label application system is equipped with touch screen control panel for system parameters settings.

APL 35s is fulfilling all GS1 international codification and traceability standards (achieving grade A and B for printed barcodes).

United Barcode Systems Print & Apply technology is a market reference for labeling individual packs, cartons and cases.

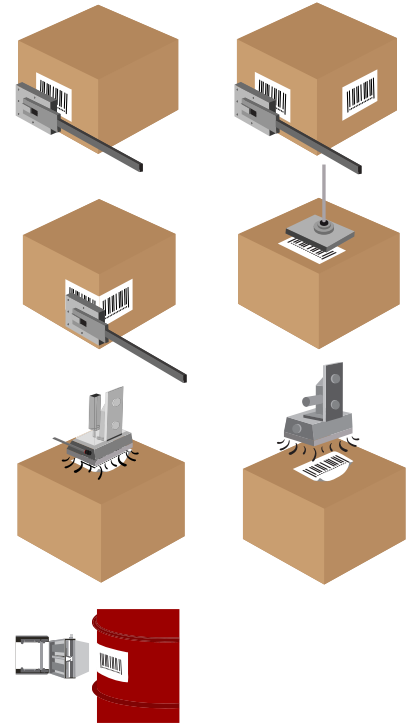
Do you need to add some advanced functionalities to **APL 35s**? **APL 35si** is our premium equipment with special features



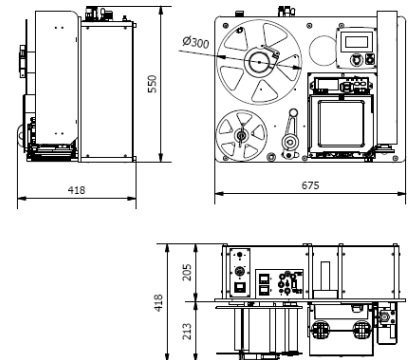
APL35s & APL35si

Print & Apply Systems
Estability & Reliability

Pneumatic Applicators



Electric Applicators



FEATURES

ELECTRIC

PLC	STANDARD	SIEMENS / ALLEN BRADLEY
INTERFACE	MONOCHROME TOUCH SCREEN 3,8"	COLOR TOUCH SCREEN 4,3"
POWER SUPPLY	100 - 240 +-10 VAC, 50 / 60Hz	
CE REGULATION	SECURITY LEVEL PLC (EMERGENCY STOP)	

PNEUMATIC

PRESSURE REGULATION CYLINDER APPLICATION	✓
VACUUM SWITCH	DIGITAL REGULATION
PRESSURE SWITCH	DIGITAL REGULATION
AIR FLOW REGULATOR BLOWER TUBE	STANDARD INDICATOR (ANALOGICAL)
AIRFLOW REGULATOR VACUUM	✗ (OPTIONAL)
ENTRY CONSIGNMENT	✓

MECHANICAL

EXTERNAL REEL DIAMETER (MAX.)	300MM (11,8"), 350MM (13,8") OPTIONAL
MAX. LABEL WIDTH	170MM (6.69")
UNWINDER	PRINTER INPUT TENSIONER
REWINDER	MOTOR WITH CLUTCH
BACKING PAPER EXTRACTION SYSTEM	CLIP
MEDIA COVER	✗ (OPTIONAL)
HARSH ENVIRONMENT FULL COVER	✗ (OPTIONAL)
CABIN PROTECTOR FOR CONNECTION PANEL	✗ (OPTIONAL)

COMMUNICATIONS

ALARM BEACON	EXTERNAL
ETHERNET	✗
LOW LEVEL MEDIA	✓ PLC & SCREEN COMMUNICATION
PRESSURE SWITCH ENTRY	✗ (OPTIONAL)
STANDARD OUTPUTS CONNECTOR	7 SIGNALS
INTEGRATOR CONNECTOR	✗ (OPTIONAL) MULTISIGNAL

LABEL APPLICATORS

PNEUMATICS	
SPEED	UP TO 90 LABELS/MIN*
ELECTRICS	
SPEED	UP TO 180 LABELS/MIN*

PRINTING MODULE

PRINT ENGINE	ZEBRA, SATO, HONEYWELL..
PRINTING RESOLUTION	203 - 300DPI
POWER SUPPLY	100 - 240 +-10 VAC, 50 / 60Hz
INTERFACE AND CONNECTIVITY	ETHERNET, USB, RS232
OPERATING TEMPERATURE	FROM 5°C TO 40°C
HUMIDITY	BETWEEN 20% - 85% NON-CONDENSING



Due to our continuous improvement policy, our product specifications are subject to change without notice.

USAAPL35s35si/210315



UBS **United Barcode Systems**
 Labeling, Coding & Marking

www.ubscore.us

Print & Apply Systems

