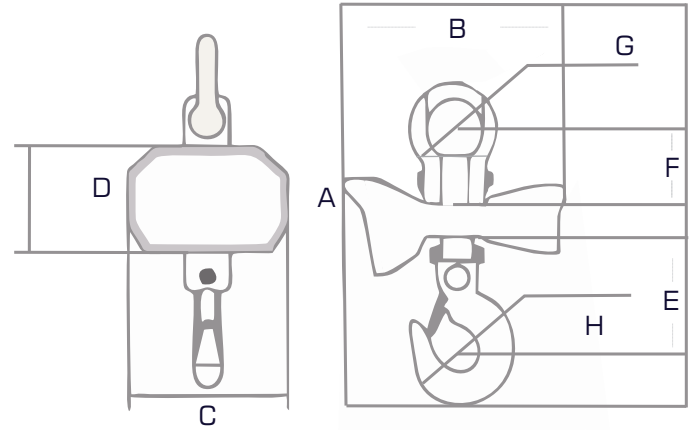


RELIABLE CRANE SCALES

Digital Crane Scale - 3000 KG

RELIABLE-YUBO



| | A | B | C | D | E | F | G | H |
|----|-----|-----|-----|-----|-----|-----|----|----|
| 3T | 505 | 260 | 190 | 120 | 160 | 135 | 55 | 60 |
| | mm | | | | | | | |

Specification

- ◆ Super bright 5-digit 1.2 LED display
- ◆ Measures : Standard remote controller to perform Calibration, Hold, Zero & Division selection functions.
- ◆ High capacity rechargeable battery (6V/4Ah).

Advantages

Using high quality large scale integrated circuit, ensure excellent measurement performance and stability for a long time. It has accumulated, delete, query, keep, division value switching, unit switch, automatic shutdown, and automatic battery monitoring function.

Application

This product is widely used in ports, transportation, metallurgy industry, steel market, building materials market, storage, coal, paper making, mining enterprises and other areas of loading and unloading cargo measurement, process flow measurement, raw materials in and out of measurement and warehouse stock measurement.

Technical Parameters

| | |
|-------------------|--|
| Class of accuracy | GB/T11883-2002=Electronic crane scales III |
| Tare range: | Maximum capacity 100% |
| Zero range: | Maximum capacity $\pm 20\%$ |
| Stable time: | 10 sec |
| Overload alarm: | Maximum capacity 100%+9 GRDN |
| Max safety load: | Maximum capacity 150% |
| Battery Spec: | 6V/4Ah lead-acid battery |
| Charge: Operation | AC220V input, DC1.2V500mA output |
| Temp °C: | 10°C~+40°C |
| Display screen: | Ultra-high brightness digital tube 0.8inch /1.2 inch LED display. |
| Remote control: | 4 key remote control. |

Complete Range of Static & Dynamic Weighing Solutions

E-mail: info@reliablegulf.com
Website: www.reliablegulf.com

Tel: +971 4 289 6005
Fax: +971 4 289 6605

Sultan Khalifa - Al Habtoor S-08, Ras Al Khor, Nad Al Hamar, Dubai, UAE