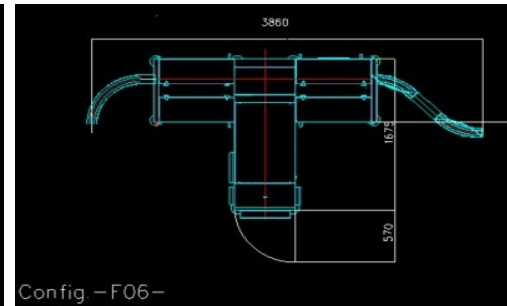
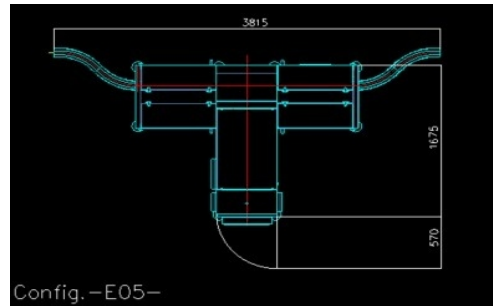
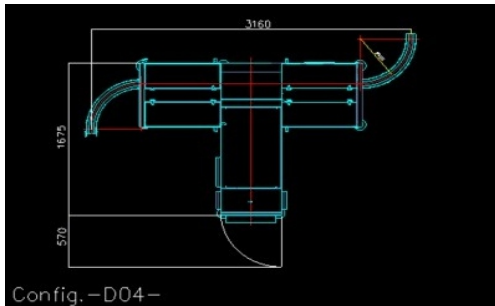
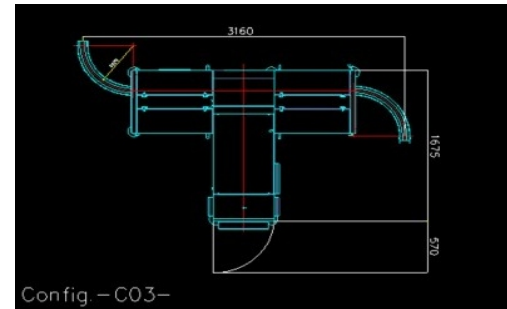
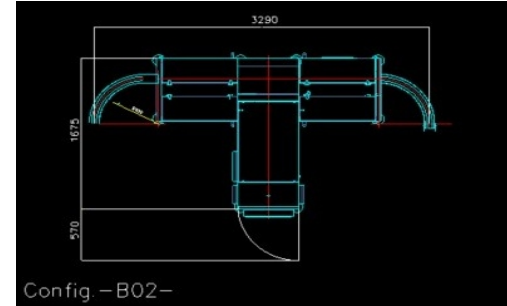
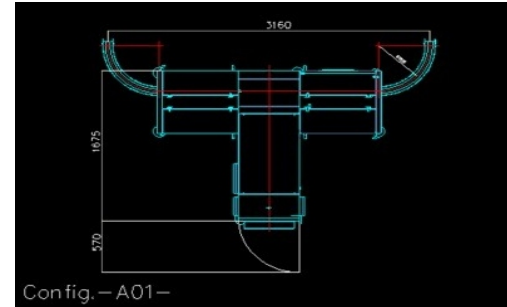




X-RAY INSPECTION SYSTEM FOR GLASS BOTTLES & JARS



| Description | Value |
|--|---|
| X-ray generator | 1000W / 100 kV Metal Ceramic X-Ray |
| Inspection mode | 3 axes adjustable robot guidance |
| Length, Width, Height | L 3750 x W 2010 x H 1750 (incl. standard tunnels) |
| Weight | Kg 1100 (incl. standard tunnels) |
| Power supply | 220V, AC, 50/60Hz - power consumption 6 kW |
| Max- inspection speed | 20-80m/min |
| Max. product dimensions | Ø 120 mm, H 215 mm detector 256x0.4 Ø 170 mm, H 270 mm option detector 400x0.4 |
| Inspection conveyor width | Table Top: 110 - 170 |
| Reject table | Gravity rejection mode |
| Equipped with sensor to check the correct ejection | Motorized conveyor option: 170mm. x 1500mm |
| Pneumatic reject system | (1200 bpm.), double rejection - deviator and ejector |