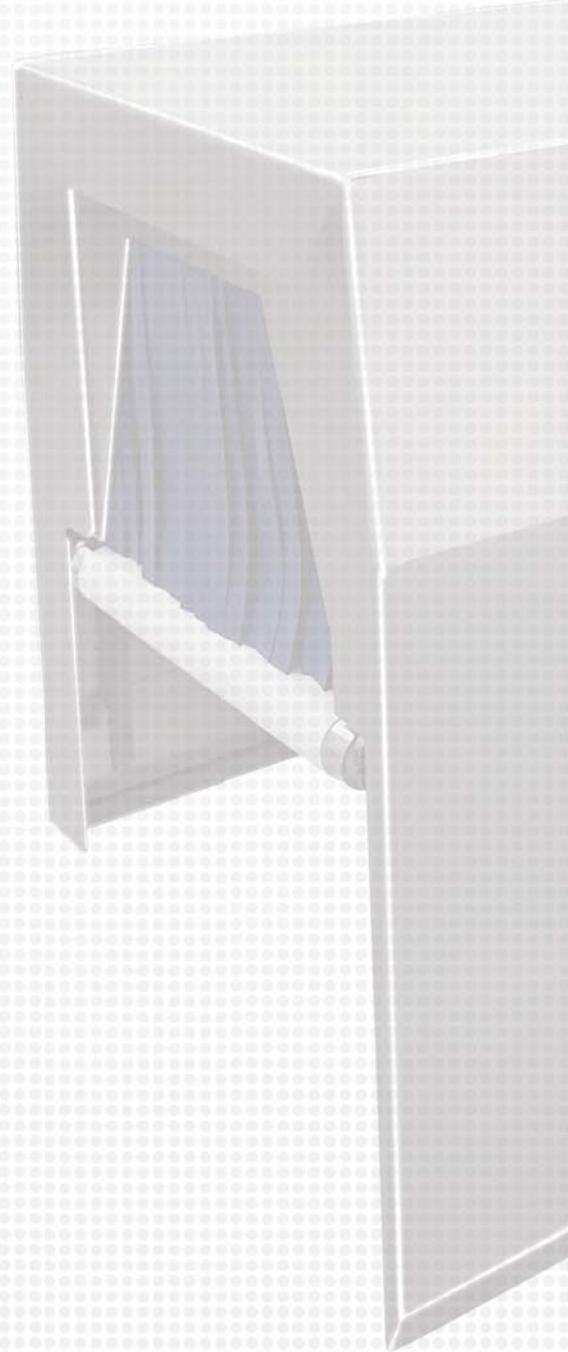


# **J PRISMA** P A R M A I T A L Y



## **X-ray inspection** **3XR11**





discover  
all the details  
on our web-site!



## Technical Specifications

Weighing range	up to 5000 g
Linear speed	up to 65 m/min
Throughput	up to 600 ppm
Pneumatic supply	0,6 Mpa
Power supply	230V 50/60Hz single phase
Power consumption	1500 W
X-ray generator	100 W
X-ray sensor	350 mm
X-ray emission	< 1 $\mu$ Sv/h fully contained inside the structure
Curtains	lead-free, infeed and outfeed, FDA approved
Mirror finishing of metal parts	Stainless steel AISI 304 for food and pharma environments
Protection Rating	IP65
Climatic environment	from 5°C up to +35°C non-condensing (closed)

## Electronics

- Digital electronics with PC Mainboard
- 15" TFT color display with touch screen panel
- Linux Operating System



## Equipment

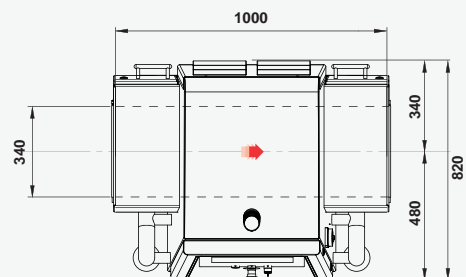
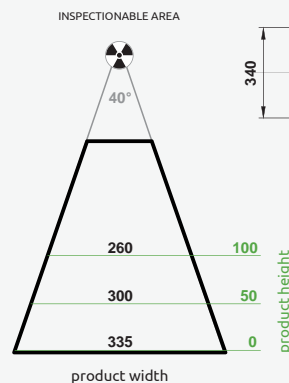
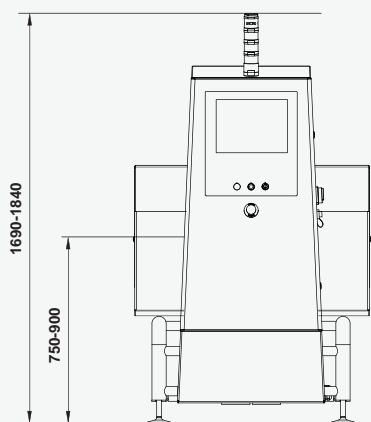
- Single-beam X-ray
- Adjustable speed
- Fail-safe mode
- Linear sensor with Frame Grabber
- TPU conveyor belt approved for FDA and EU food usage
- Roller diameter: 30 mm
- High immunity to environmental interferences
- Alarms notification
- Report and rejects archive

- OK pcs. and rejects totalizer
- Principle of operation: digital with bidimensional image
- Function and process alarm output
- Remote Input/Output on Ethercat protocol
- 3 levels password access protection
- Visualization of product image
- USB interface
- Self-check function
- Auto set-up function
- In conformity with ISO - FDA - HACCP - GMP - CE regulations

## Optional

- Rejection systems
- Reject management systems
- Stainless steel rejection bin

- Inner cooling system
- Ejection check photocell
- Bin-full check photocell
- Ethernet interface for Industry 4.0 compliance



The manufacturer reserves the right to change the product specifications without notice. The image and the drawing are indicative of one of the possible configurations of the machine.